



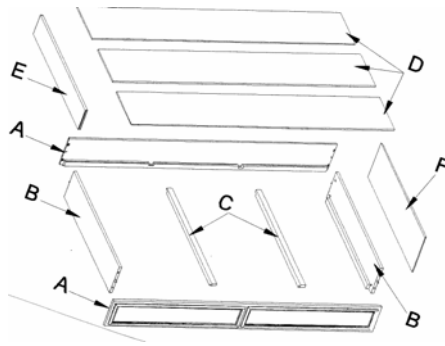
**Assembly Sheet  
Trundle / Storage Drawer**

**249 Professional Drive  
Morrisville, VT 05661**

**Tel: 802-888-7974**

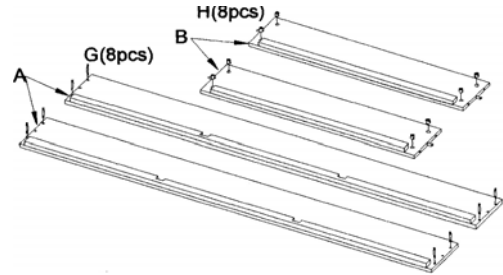
**Fax: 802-888-3668**

**Website: [www.boltonfurniture.biz](http://www.boltonfurniture.biz)**



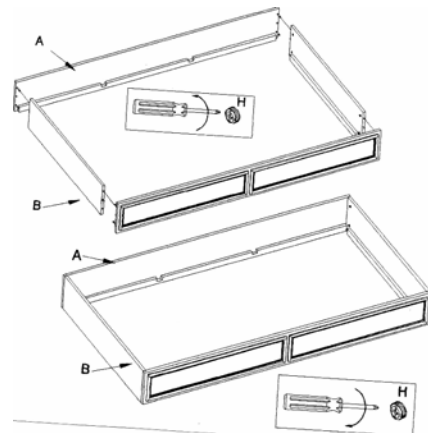
### Step 1

Lay Side Assembly (B) and Front and Back Assembly (A) on clean non abrasive surface with drilled holes and threaded inserts facing up. Thread Metal Post (G) into threaded inserts in Front and Back Assembly (A), 8 places. Position 2 Piece Metal Connector (H) in predrilled holes in Side Assembly (B). Make sure that the 2 Piece Metal connector (H) is aliigned to accept metal post (G)



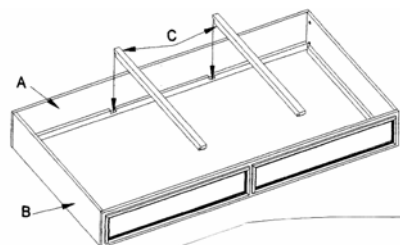
### Step 2

Aliegn the predrilled holes in edge of Side Assembly (B) with Metal Post (G) in Front and Back Assembly (A). Make sure all connectiones are tight and seat down firmly. Once all connectiones are seated firmly together, tighten 2 Piece Metal Connector (H) with a screw driver.



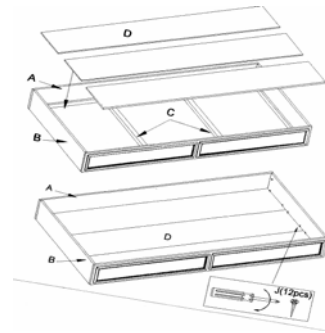
### Step 3

Place Botton Support Rails ( C ) in notched out on cleats on the Front and Back Assembly (A). Seat down firmly and attach with wood screws provided.



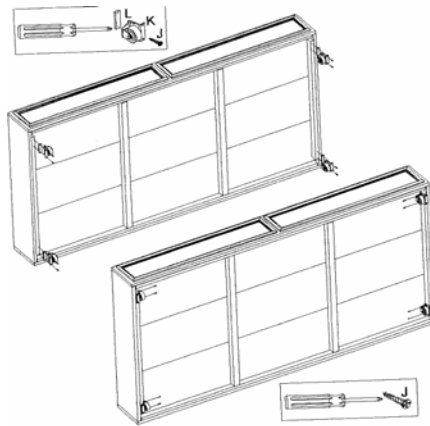
## Step 4

Place Bottom Panel (D) into the frame assembly. Screw Bottom Panels (D) into the cleats in the frame assembly 12 places with wood Screws (J).



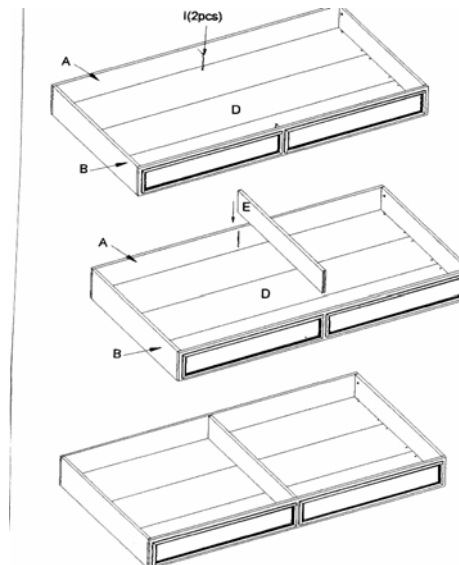
## Step 5

Position Trundle assembly on edge. Attach caster assembly in four locations on bottom edge of side assembly (B). When positioning Caster (K) to the Side Assembly (B), make sure the Rubber Gasket (L) is positioned between side assembly and caster. Attach with wood screws provided.



## Step 6

Place metal guide (I) into predrilled holes in Front and Back Assembly (A). Slide Divider Panel (E) over the Metal Guide (I). Note: This is an option feature that creates two storage sections within the Trundle/Storage Drawer assembly.



Replacement parts may be obtained from any of our Bolton Furniture or Vermont Precision Woodworks dealers.