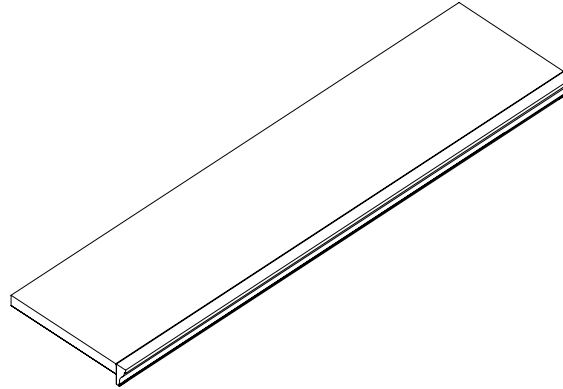


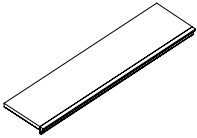





**B-Cubed 3304 Crown - Quad**

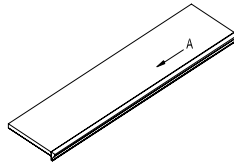


**Thank you for purchasing our products. Assembly of this product requires a phillips screwdriver.**

**Lay out parts on a non-abrasive surface to avoid scratching finish.**

| NO. | DRAWING                                                                             | DESCRIPTION | QTY |
|-----|-------------------------------------------------------------------------------------|-------------|-----|
| A   |  | TOP CROWN   | 1   |

| NO. | DRAWING                                                                              | DESCRIPTION       | QTY |
|-----|--------------------------------------------------------------------------------------|-------------------|-----|
| B   |  | STACKING PINS     | 4   |
| C   |  | MENDING PLATES    | 3   |
| D   |  | WOOD SCREW 4.0"14 | 6   |




---

**Note: The Crown - Quad is the top on a 3204 Cube - Quad. When stacking cubes, the Crown - Quad is the top on the uppermost Cube or Bridge.**

---

**STEP 1**  
Identify and count all parts using diagram above.

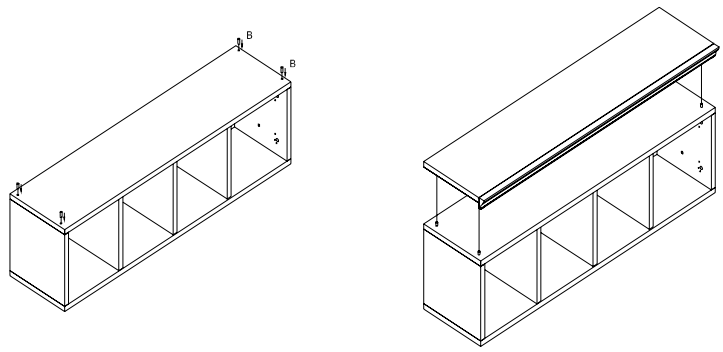
---

**STEP 2**  
Identify and count all hardware.

---

**STEP 3**

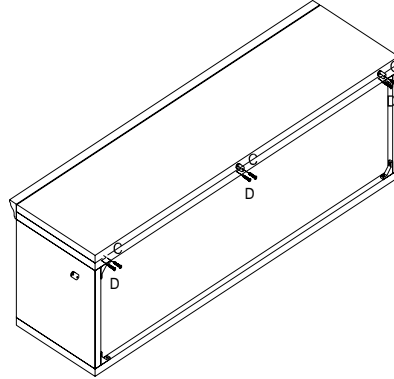
Insert 4 stacking pins (B) in pre-drilled holes in top of Cube - Quad. Align holes on underside of Crown - Quad (A) to stacking pins in top of Cube - Quad. Seat top down firmly.



---

**STEP 4**

Secure Crown - Quad to Cube - Quad by attaching Mending Plate (C) in back edges of the Cube - Quad and Crown - Quad using Wood Screw (D). Attach the Mending Plates in three places.



---

**STEP 5**

The Cube - Quad w/ Crown is now complete. The Cube - Quad w/ Crown can be used as a stand alone piece or will be the top assembly in a stack-a-ble configuration or bridge connecting two stack-a-ble towers.

